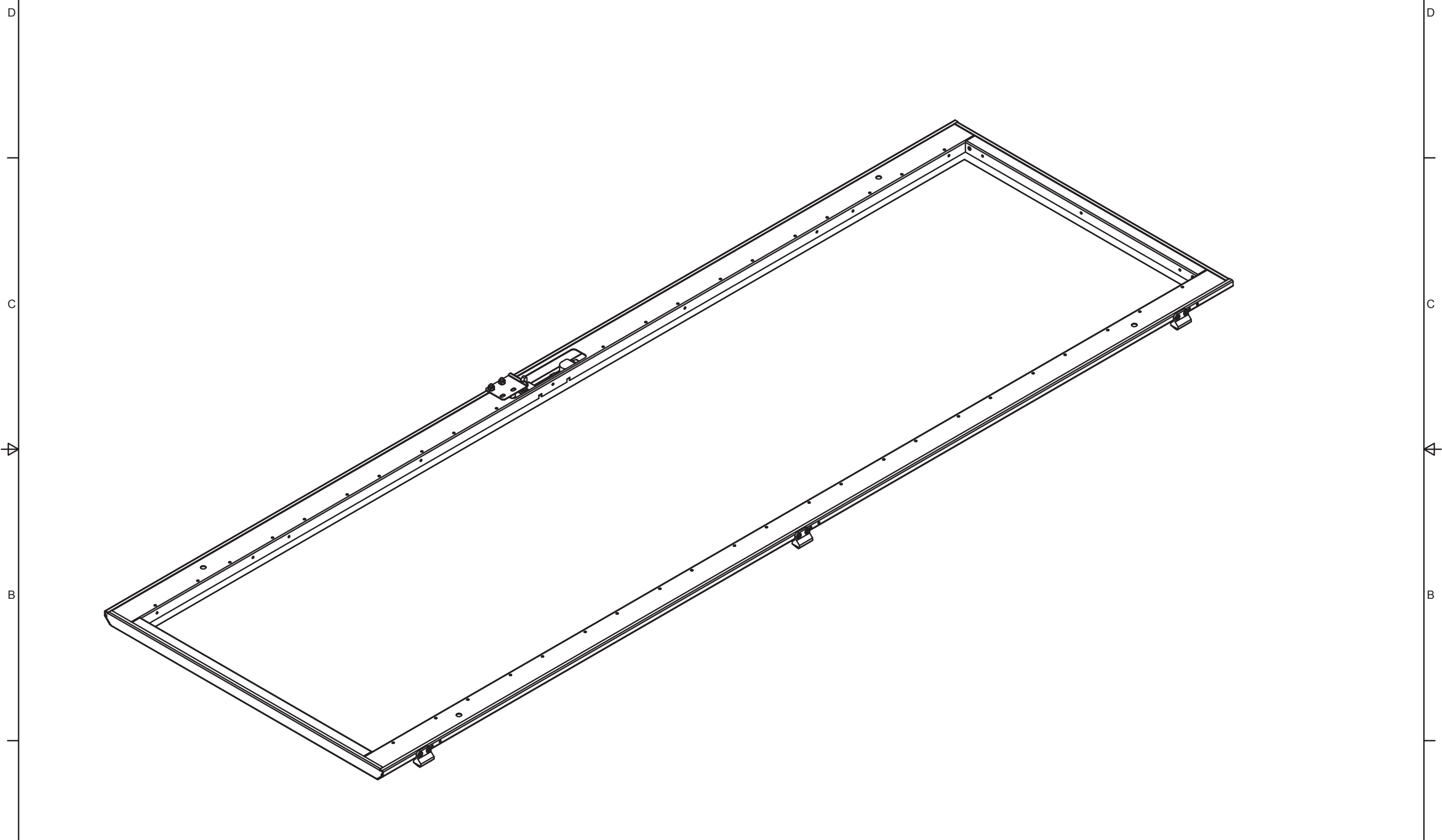


6 5 4 3 2 1

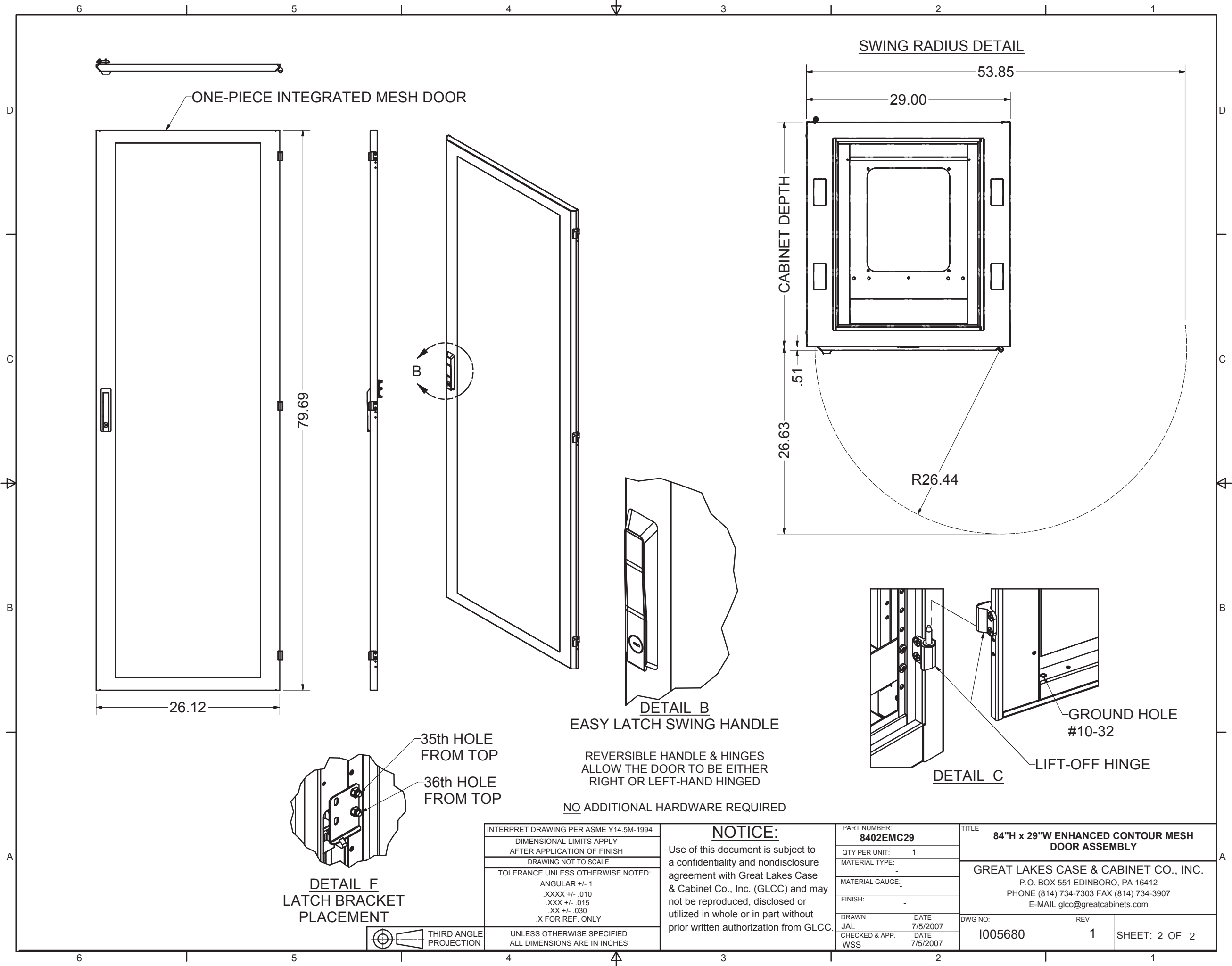
REVISION HISTORY			
REV	DESCRIPTION	DATE	APPROVED
0	ECO-01976	7/10/2007	WSS
1	ECO-02145	1/30/2008	JL
2	ECO-03026	10/15/2010	FED

Bill of Material					
ITEM	PART NUMBER	QTY	DESCRIPTION	FILE NAME	REV
2	8402EMC29X100	1	84"H x 29"W ENHANCED CONTOUR MESH DOOR VENDOR ASSEMBLY	I005681.iam	2



<p>INTERPRET DRAWING PER ASME Y14.5M-1994</p> <p>DIMENSIONAL LIMITS APPLY AFTER APPLICATION OF FINISH</p> <p>DRAWING NOT TO SCALE</p> <p>TOLERANCE UNLESS OTHERWISE NOTED:</p> <p>ANGULAR +/- 1</p> <p>.XXXX +/- .010</p> <p>.XXX +/- .015</p> <p>.XX +/- .030</p> <p>.X FOR REF. ONLY</p>	<p>NOTICE:</p> <p>Use of this document is subject to a confidentiality and nondisclosure agreement with Great Lakes Case & Cabinet Co., Inc. (GLCC) and may not be reproduced, disclosed or utilized in whole or in part without prior written authorization from GLCC.</p>	<p>PART NUMBER:</p> <p>8402EMC29</p>	<p>TITLE</p> <p>84"H x 29"W ENHANCED CONTOUR MESH DOOR ASSEMBLY</p>		
		<p>QTY PER UNIT: 1</p> <p>MATERIAL TYPE: -</p> <p>MATERIAL GAUGE: -</p> <p>FINISH: -</p>	<p>GREAT LAKES CASE & CABINET CO., INC.</p> <p>P.O. BOX 551 EDINBORO, PA 16412</p> <p>PHONE (814) 734-7303 FAX (814) 734-3907</p> <p>E-MAIL glcc@greatcabinets.com</p>		
<p>THIRD ANGLE PROJECTION</p>	<p>UNLESS OTHERWISE SPECIFIED ALL DIMENSIONS ARE IN INCHES</p>	<p>DRAWN DATE</p> <p>JAL 6/25/2007</p> <p>CHECKED & APP. DATE</p> <p>WSS 7/5/2007</p>	<p>DWG NO:</p> <p>I005680</p>	<p>REV</p> <p>2</p>	<p>SHEET: 1 OF 2</p>

6 5 4 3 2 1



INTERPRET DRAWING PER ASME Y14.5M-1994

DIMENSIONAL LIMITS APPLY AFTER APPLICATION OF FINISH
DRAWING NOT TO SCALE
TOLERANCE UNLESS OTHERWISE NOTED:
ANGULAR +/- 1
.XXXX +/- .010
.XXX +/- .015
.XX +/- .030
.X FOR REF. ONLY

NOTICE:

Use of this document is subject to a confidentiality and nondisclosure agreement with Great Lakes Case & Cabinet Co., Inc. (GLCC) and may not be reproduced, disclosed or utilized in whole or in part without prior written authorization from GLCC.

PART NUMBER:	8402EMC29
QTY PER UNIT:	1
MATERIAL TYPE:	-
MATERIAL GAUGE:	-
FINISH:	-
DRAWN	DATE
JAL	7/5/2007
CHECKED & APP.	DATE
WSS	7/5/2007

TITLE		84"H x 29"W ENHANCED CONTOUR MESH DOOR ASSEMBLY	
GREAT LAKES CASE & CABINET CO., INC.			
P.O. BOX 551 EDINBORO, PA 16412			
PHONE (814) 734-7303 FAX (814) 734-3907			
E-MAIL glcc@greatcabinets.com			
DWG NO:	1005680	REV	1

UNLESS OTHERWISE SPECIFIED ALL DIMENSIONS ARE IN INCHES

