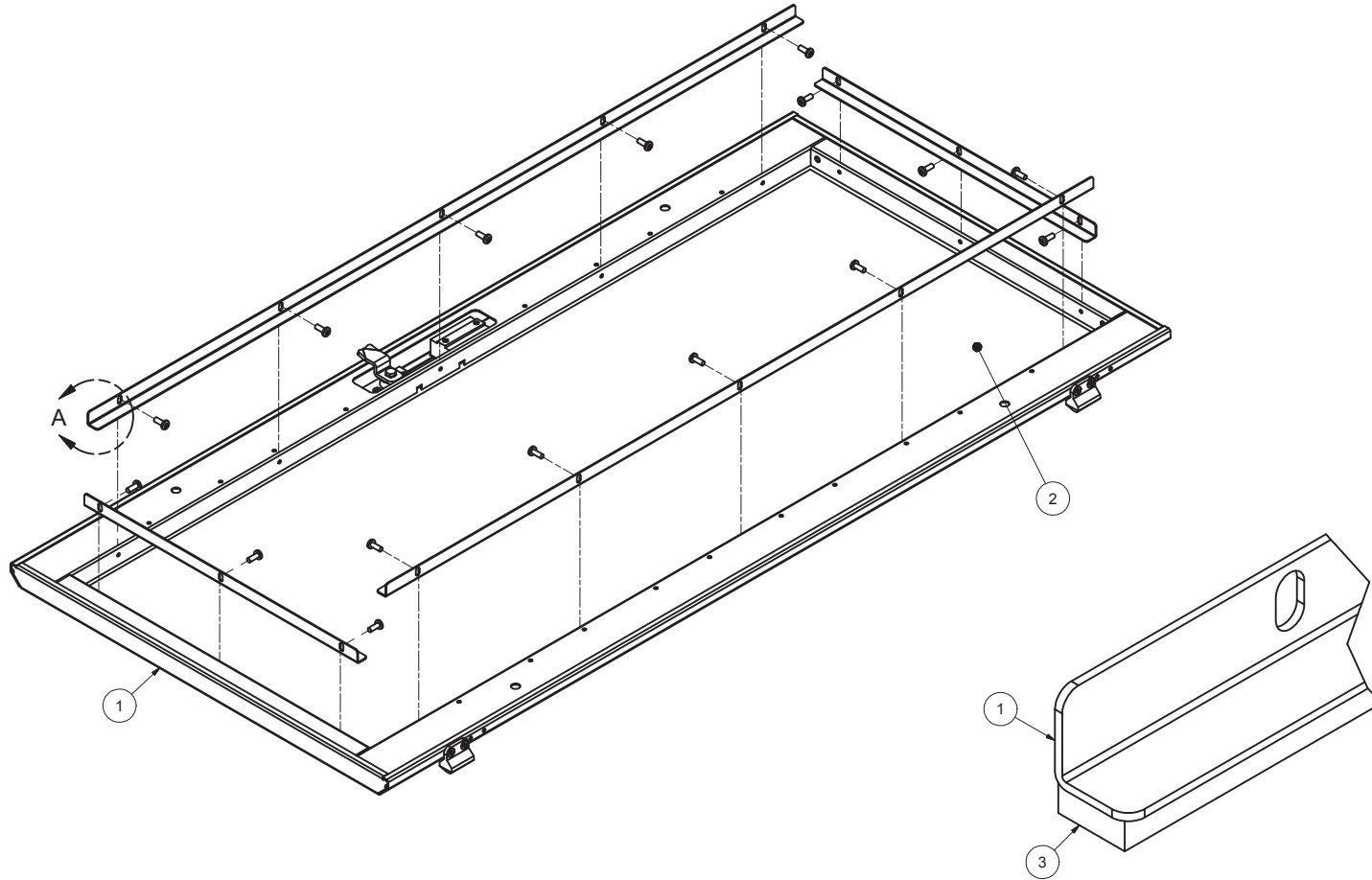


6 5 4 3 2 1

REVISION HISTORY			
REV	DESCRIPTION	DATE	APPROVED
0	ECO-01993	7/13/2007	WSS
1	ECO-02938	8/4/2020	WSS



Bill of Material					
ITEM	PART NUMBER	QTY	DESCRIPTION	FILE NAME	REVISION
1	4802EMC24X100	1	48"H x 24"W ENHANCED CONTOUR MESH DOOR VENDOR ASSEMBLY	I005801.iam	1
2	MESH480EMC24x100	1	48"H x 24"W MESH PANEL, E CONTOUR DOOR	I005807.ipt	0
3	GASKET1/2	1	1/2 x 1/8"THK NEOPRENE GASKET W/ PSA	-	-



DETAIL A

INTERPRET DRAWING PER ASME Y14.5M-1994
 DIMENSIONAL LIMITS APPLY
 AFTER APPLICATION OF FINISH
 DRAWING NOT TO SCALE
 TOLERANCE UNLESS OTHERWISE NOTED:
 ANGULAR +/- 1
 .XXXX +/- .010
 .XXX +/- .015
 .XX +/- .030
 .X FOR REF. ONLY

NOTICE:

Use of this document is subject to a confidentiality and nondisclosure agreement with Great Lakes Case & Cabinet Co., Inc. (GLCC) and may not be reproduced, disclosed or utilized in whole or in part without prior written authorization from GLCC.

PART NUMBER:
4802EMC24
 QTY PER UNIT: 1
 MATERIAL TYPE: -
 MATERIAL GAUGE:
#16 GA
 FINISH: -
 DRAWN: JAL DATE: 7/12/2007
 CHECKED & APP. DATE: WSS 7/31/0

TITLE
48"H x 24"W ENHANCED CONTOUR MESH DOOR ASSEMBLY
GREAT LAKES CASE & CABINET CO., INC.
 P.O. BOX 551 EDINBORO, PA 16412
 PHONE (814) 734-7303 FAX (814) 734-3907
 E-MAIL glcc@greatcabinets.com



THIRD ANGLE PROJECTION

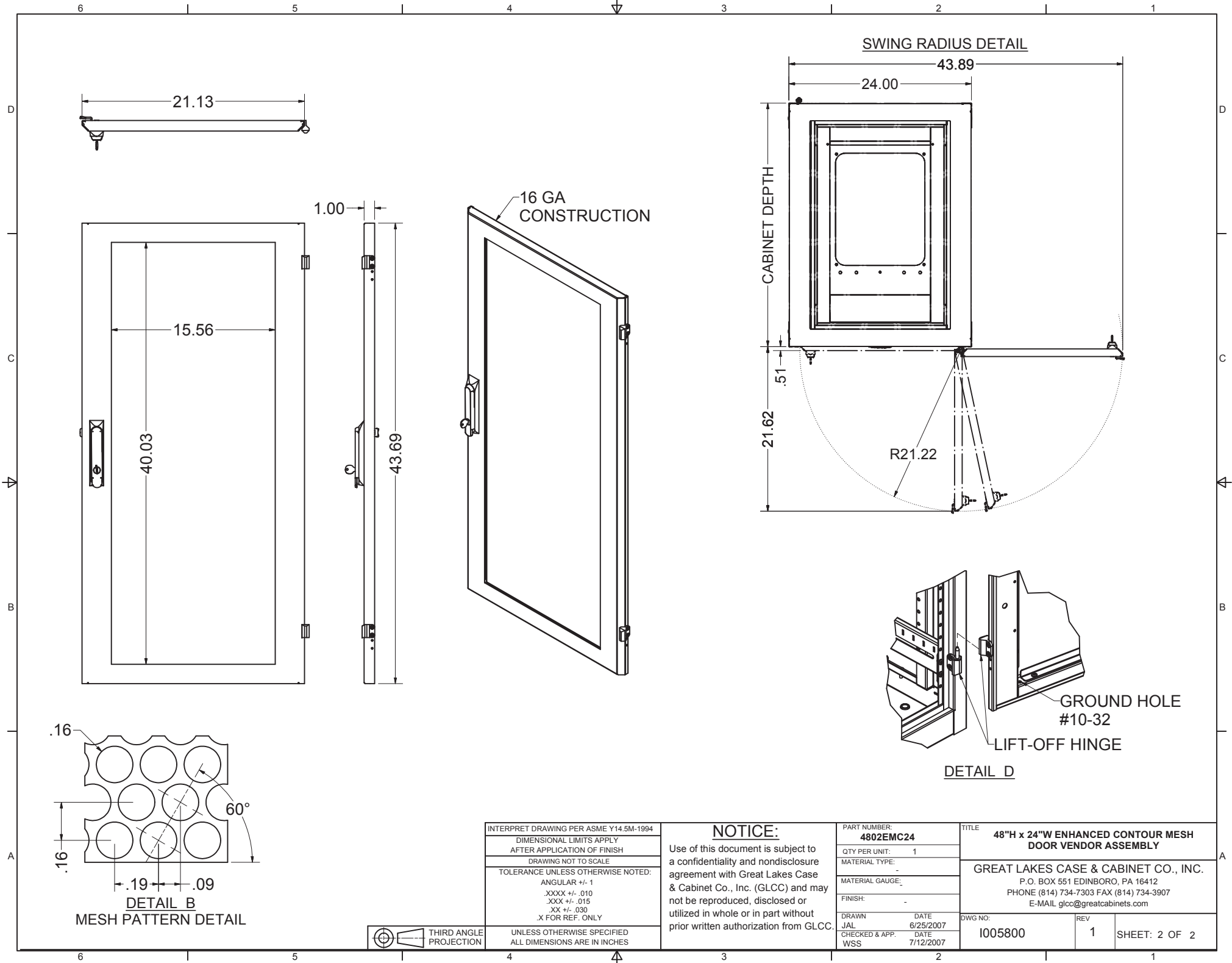
UNLESS OTHERWISE SPECIFIED ALL DIMENSIONS ARE IN INCHES

DWG NO: **I005800** REV: **1** SHEET: 1 OF 2

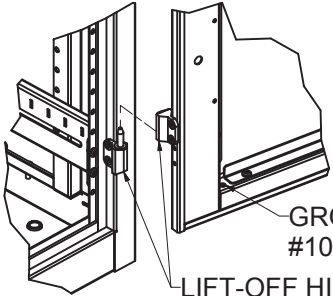
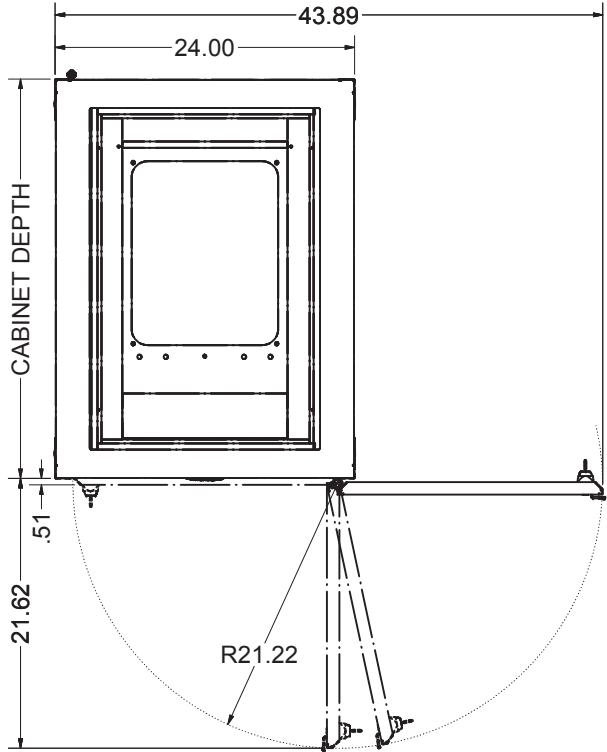
D
C
B
A

D
C
B
A

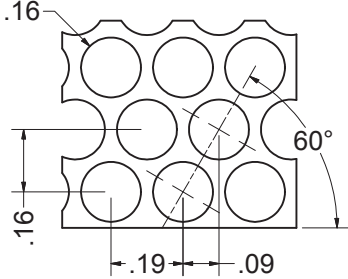
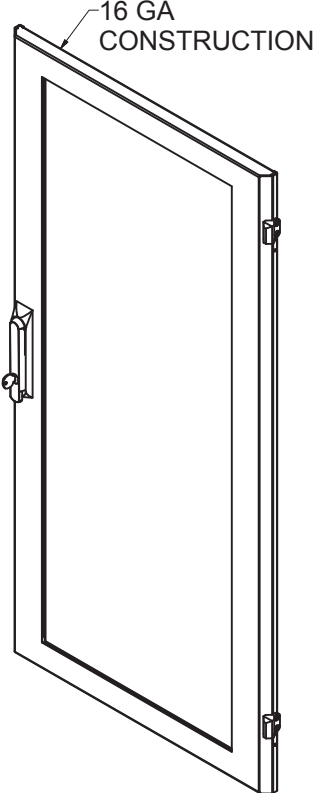
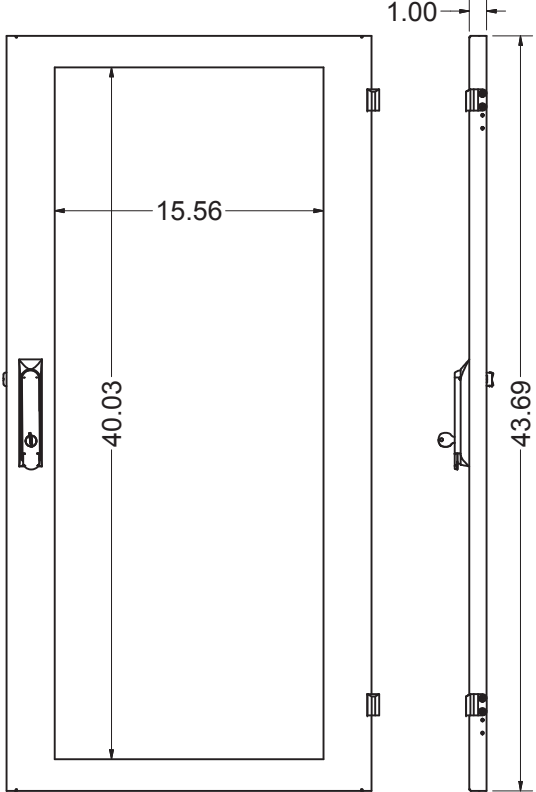
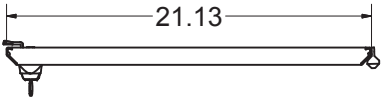
6 5 4 3 2 1



SWING RADIUS DETAIL



DETAIL D



**DETAIL B
MESH PATTERN DETAIL**

INTERPRET DRAWING PER ASME Y14.5M-1994
DIMENSIONAL LIMITS APPLY AFTER APPLICATION OF FINISH
DRAWING NOT TO SCALE
TOLERANCE UNLESS OTHERWISE NOTED:
ANGULAR +/- 1
.XXX +/- .010
.XXX +/- .015
.XX +/- .030
.X FOR REF. ONLY



UNLESS OTHERWISE SPECIFIED ALL DIMENSIONS ARE IN INCHES

NOTICE:

Use of this document is subject to a confidentiality and nondisclosure agreement with Great Lakes Case & Cabinet Co., Inc. (GLCC) and may not be reproduced, disclosed or utilized in whole or in part without prior written authorization from GLCC.

PART NUMBER: 4802EMC24	
QTY PER UNIT:	1
MATERIAL TYPE:	-
MATERIAL GAUGE:	-
FINISH:	-
DRAWN	DATE
JAL	6/25/2007
CHECKED & APP.	DATE
WSS	7/12/2007

TITLE 48"H x 24"W ENHANCED CONTOUR MESH DOOR VENDOR ASSEMBLY	
GREAT LAKES CASE & CABINET CO., INC. P.O. BOX 551 EDINBORO, PA 16412 PHONE (814) 734-7303 FAX (814) 734-3907 E-MAIL glcc@greatcabinets.com	
DWG NO: 1005800	REV 1
SHEET: 2 OF 2	