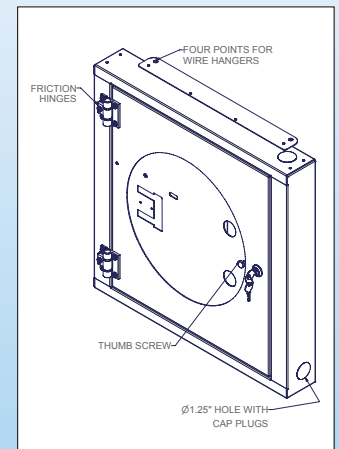
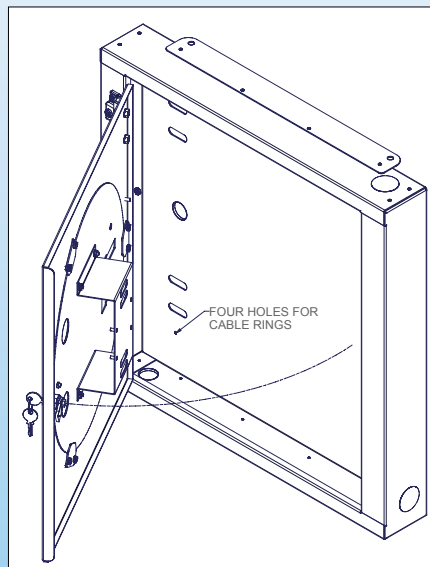


product spotlight

BROADCAST SOUND & SECURITY WIFI ENCLOSURE

This 2' x 2' ceiling box is designed to fit into any suspended ceiling environment. It easily fits into the grid with frame attachment points for greater support. Whether used for a wireless router or as part of a large RFID system, the WiFi box allows for simple mounting of the equipment with a rotating center panel to allow for directional focusing of antenna.

Part No	Description
BS2-2424WFB	23.625"H x 23.625"W x 3.5"D, WiFi Ceiling Box



CORPORATE HEADQUARTERS

P.O. Box 551
Edinboro, PA 16412
1.866.TRY.GLCC
(1.866.879.4522)
Phone: 814.734.7303
Fax: 814.734.3907
glcc@greatcabinets.com

GREAT LAKES MANUFACTURING, INC.

1521 Enterprise Road
Corry, PA 16407
Phone: 814.734.2436
Fax: 814.665.7025
werackyourworld.com
glm@greatmanufacturing.net

WESTERN DISTRIBUTION

4750 Joule Street
Reno, NV 89502
Phone: 775.829.9913
Fax: 775.829.9926
glcc@greatcabinets.com

GREAT LAKES INTERNATIONAL LTD.

Aerbridge House, Unit 14
Dunshaughlin Business Park
Dunshaughlin Co. Meath
Ireland
Phone: 011 353 1 825 8777
Fax: 011 353 1 825 8778

GREAT LAKES HUNGARY KFT

Zsurló utca 13
8000 Székesfehérvár
Hungary
Phone: 011 36 22 880 420
Fax: 011 36 22 880 429